



# FRONTIER™ 5513 & 5513R

High-Speed Micro Centrifuges



## **Compact Micro Centrifuges with Modern Touch-Wheel Interface Ideal for High-Speed Lab Applications**

Frontier 5513 & 5513R Benchtop Micro Centrifuges as high speed centrifuges are capable of generating approx 17,000 x g. With refrigeration capabilities (FC5513R), seven optional rotors are designed for a range of essential lab applications. Engineered with convenient operation in mind, Frontier 5513 & 5513R feature a uniquely designed splash-proof front panel with touch-wheel control on an intuitive interface. The compact design saves valuable bench space in the lab.

### **Unique Features:**

- Frontier 5513 & 5513R offer standard 24 x 1.5/2 ml microtube rotors with a BIOSEALS option. The centrifuges can also support spin columns and hematocrit capillary tubes when used with additional rotor options.
- Designed for ease of operation, the FC5513 & FC5513R feature convenient control on a protective splash-proof interface, which allows for responsive operation—even when wearing gloves.
- With a small footprint, Frontier 5513 & 5513R centrifuges are compact enough to save valuable space on the bench, yet large enough to accommodate the most common size 24 x 1.5/2.0 ml rotors.

# FRONTIER™ 5513 & 5513R High-Speed Micro Centrifuges

## Sleekly designed interface enables smooth operation for a great user experience

- Easy-to-Use touch-wheel interface for parameter adjustments
- Convenient interface shows both set and actual parameters
- One-touch toggling between RPM/RCF, Acc/Dec
- Crisp display on a double-line LCD display with backlight

## Solid engineering to ensure functionality and reliability

- True splash-proof panel protects the centrifuge from accidental sample spilling
- Maintenance-free induction motor produces maximum G-force of 17,317 x g for FC5513 and 17,157 x g for FC5513R
- Speeds up to 13,500 rpm in less than 15 seconds with 24 x 1.5/2.0 ml rotor
- 10 acceleration/deceleration settings
- 99 memory sets to quickly store and recall commonly used parameters
- FC5513R model has refrigeration capabilities from 40°C to -20°C
- Pre-cool feature in FC5513R quickly lowers the temperature of rotor and chamber before a run

## Flexible rotor selections to cover essential laboratory applications


- Works with microtube rotors with different rotor capacity – 18 x 1.5/2.0 ml or 24 x 1.5/2.0 ml
- Compatible with up to 7 rotor option and maximum rotor capacity of 24 x 1.5/2.0 ml
- Support spin-column and hematocrit capillary tubes through additional rotor options

## Safety features that prevent injury


- Biosealed rotor is available for safe handling of hazardous samples
- Rotor imbalance sensing systems stops the unit when it detects an imbalanced load
- Lid-locking system prevents centrifuge from opening during operation (FC5513R)




# FRONTIER™ 5513 & 5513R Rotors and Accessories

	Order No.	30472302			
	Description	Rotor Angle 24 x 1.5/2.0 ml BIOSEALS V1			
	Compatible with	FC5513		FC5513R	
	Max. Speed	13,500 rpm		13,000 rpm	
	Max. RCF	17,317 x g		16,058 x g	


Accessories					
Order No.	Description	Vol./Tube	Diameter	Tube Type	No. of Tubes/Rotor
Without Adapter	Rotor Angle 24 x 1.5/2.0 ml BIOSEALS V1	1.5/2.0 ml	11 mm	Microtube	24
30130885	Adapter 1 x 0.5 ml D8 mm 6/pk	0.5 ml	8 mm	Microtube	24
30130884	Adapter 1 x 0.2/0.4 ml D6 mm 6/pk	0.2/0.4 ml	6 mm	Microtube	24

	Order No.	30472304			
	Description	Rotor Hematocrit 24 x Capillaries V1			
	Compatible with	FC5513		FC5513R	
	Max. Speed	13,000 rpm		-	
	Max. RCF	16,058 x g		-	


Accessories					
Order No.	Description	Vol./Tube	Diameter	Tube Type	No. of Tubes/Rotor
Without Adapter	Rotor Hematocrit 24 x Capillaries V1	-	1.9 mm	Capillaries	24

	Order No.	30210898			
	Description	Rotor Angle 24 x 2.0 ml Spin Column			
	Compatible with	FC5513		FC5513R	
	Max. Speed	13,500 rpm		-	
	Max. RCF	17,317 x g		-	

Accessories					
Order No.	Description	Vol./Tube	Diameter	Tube Type	No. of Tubes/Rotor
Without Adapter	Rotor Angle 24 x 2.0 ml Spin Column	2 ml	11 mm	Spin Column	24

	Order No.	83041006			
	Description	Rotor Angle 18 x 1.5/2.0 ml Sealable			
	Compatible with	FC5513		FC5513R	
	Max. Speed	-		14,500 rpm	
	Max. RCF	-		17,157 x g	

Accessories					
Order No.	Description	Vol./Tube	Diameter	Tube Type	No. of Tubes/Rotor
Without Adapter	Rotor Angle 18 x 1.5/2.0 ml Sealable	1.5/2.0 ml	11 mm	Microtube	18
30130885	Adapter 1 x 0.5 ml D8 mm 6/pk	0.5 ml	8 mm	Microtube	18
30130884	Adapter 1 x 0.2/0.4 ml D6 mm 6/pk	0.2/0.4 ml	6 mm	Microtube	18

	Order No.	83041014			
	Description	Rotor Angle 4 x 8-Place PCR Strip V1			
	Compatible with	FC5513		FC5513R	
	Max. Speed	13,500 rpm		13,000 rpm	
	Max. RCF	14,669 x g		13,602 x g	

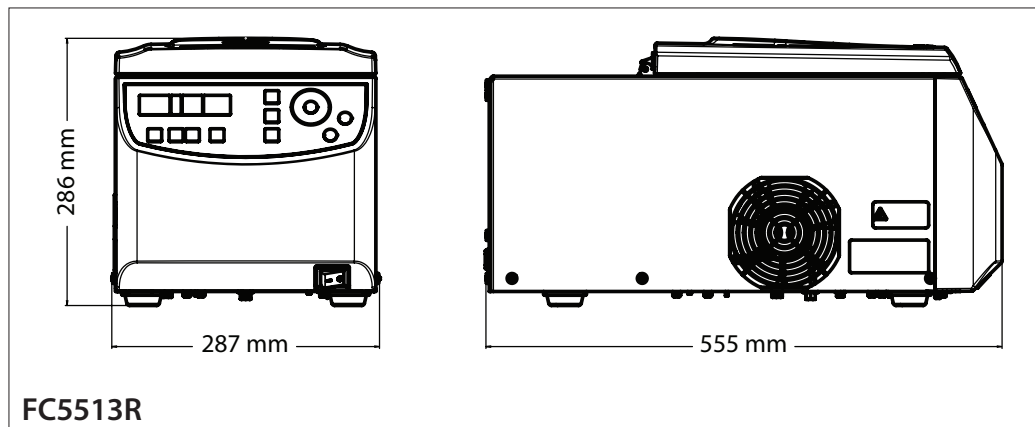
Accessories					
Order No.	Description	Vol./Tube	Diameter	Tube Type	No. of Tubes/Rotor
Without Adapter	Rotor Angle 4 x 8-Place PCR Strip V1	0.2 ml	6	8-w PCR Strip	32

# FRONTIER™ 5513 & 5513R High-Speed Micro Centrifuges

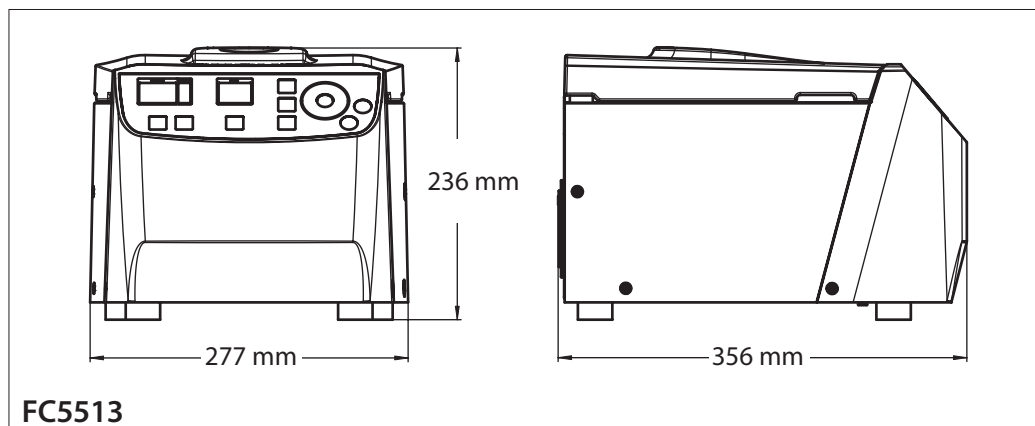
## Specifications

Model	FC5513R	FC5513
Speed Range	200 rpm – 14,500 rpm; 10 rpm/increments	200 rpm – 13,500 rpm; 10 rpm/increments
Maximum RCF	17,157 x g; 10 x g/increments	17,317 x g; 10 x g/increments
Maximum Capacity (Rotor)	24 x 1.5/2.0 ml	
Temperature Range	-20 °C to 40 °C, 1 °C/increments	Air cooled
Running Time	Quick Spin, 10 sec to 99 hr 59 min 59 sec, or continuous	
Noise Level	≤ 56 + 2 dB(A)	≤ 60 dB(A)
Acc/Dec Levels	10	
Allowable Density at Maximum Speed	1.2 g/ml	
Allowable Kinetic Energy	2,266 Nm	2,129 Nm
AC Power	230 V/50-60 Hz	
Voltage Fluctuation	± 10 %	
Current Consumption	1.8 A	1.05 A
Power Consumption	320 W	170 W
Dimensions (W x D x H)	287 x 555 x 286 mm	277 x 356 x 236 mm
Net Weight (without rotor)	33 kg	12.6 kg
Shipping Dimensions (W x D x H)	400 x 660 x 520 mm	370 x 470 x 340 mm
Shipping Weight (without rotor)	38 kg	14 kg
Environment	For indoor use only	

## Outline Dimensions



FC5513R



FC5513

## Other Standard Features and Equipment

Ten acceleration and ten deceleration rates, pre-selection of running time from 10 sec to 99 hr 59 min or continuous, audible signal at the end of each run with melody options, quick spin for short runs

## Compliance

- **Product Safety:** IEC/EN 61010-1; IEC/EN 61010-2-020
- **Electromagnetic Compatibility:** IEC/EN 61326-1 Class B, Basic environments
- **Compliance Mark:** CE



# WolfLabs

**Pricing on any accessories shown can be found by keying the part number into the search box on our website.**

The specifications listed in this brochure are subject to change by the manufacturer and therefore cannot be guaranteed to be correct. If there are aspects of the specification that must be guaranteed, please provide these to our sales team so that details can be confirmed.

**[www.wolflabs.co.uk](http://www.wolflabs.co.uk)**

**Tel : 01759 301142**

**Fax : 01759 301143**

**[sales@wolflabs.co.uk](mailto:sales@wolflabs.co.uk)**

Please contact us if this literature doesn't answer all your questions.